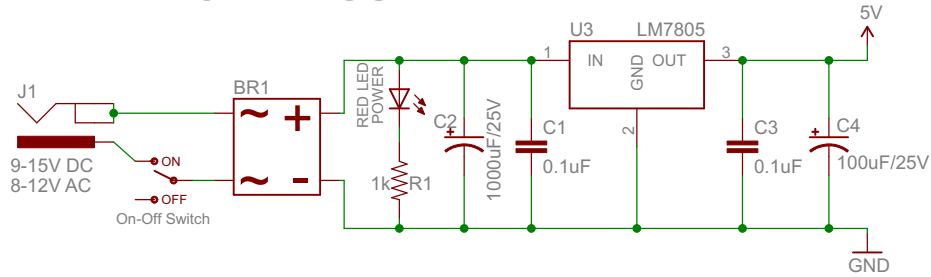
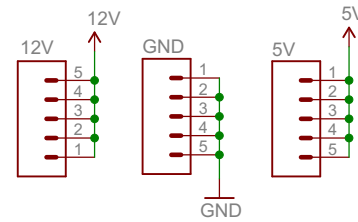


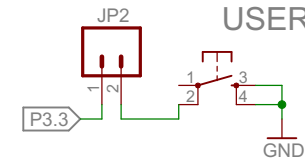
POWER SUPPLY



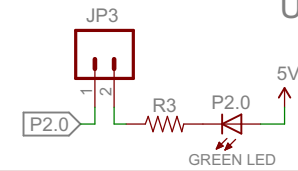
POWER BUS



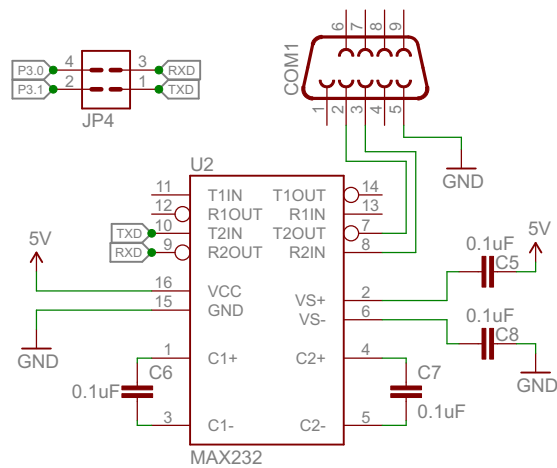
USER SWITCH



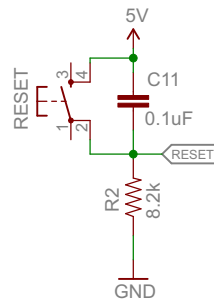
USER LED



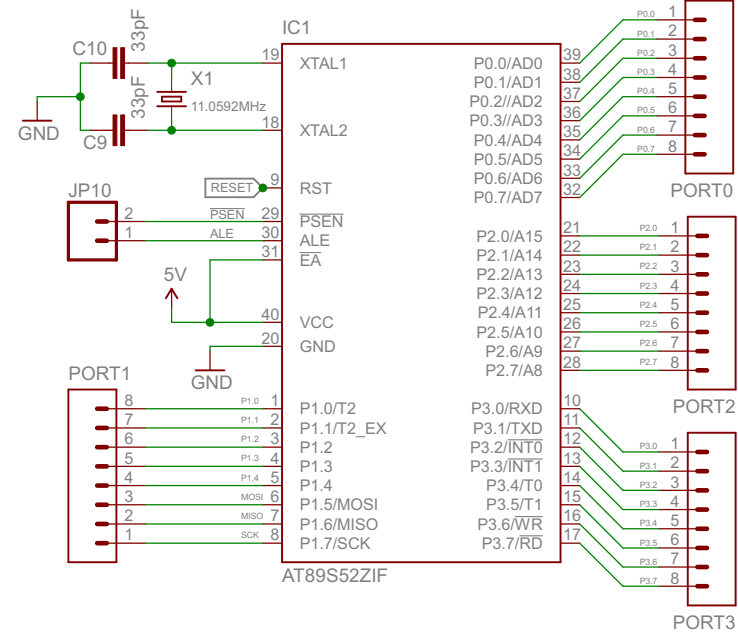
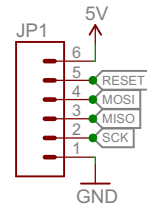
SERIAL COMMUNICATION PORT



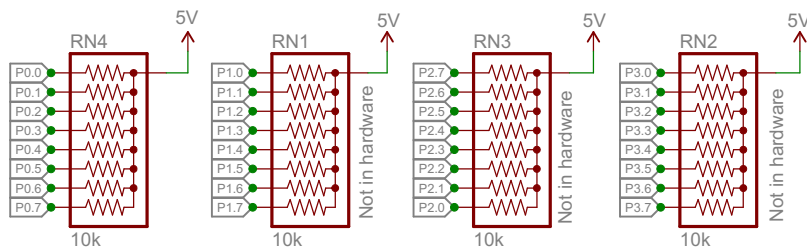
RESET CIRCUIT



ISP CONNECTOR



PULLUP RESISTOR



JP2- Connect the user switch to P3.3
 JP3- Connect the user LED to P2.0
 JP4- Enable serial communication

TITLE: 8051 Quick starter board

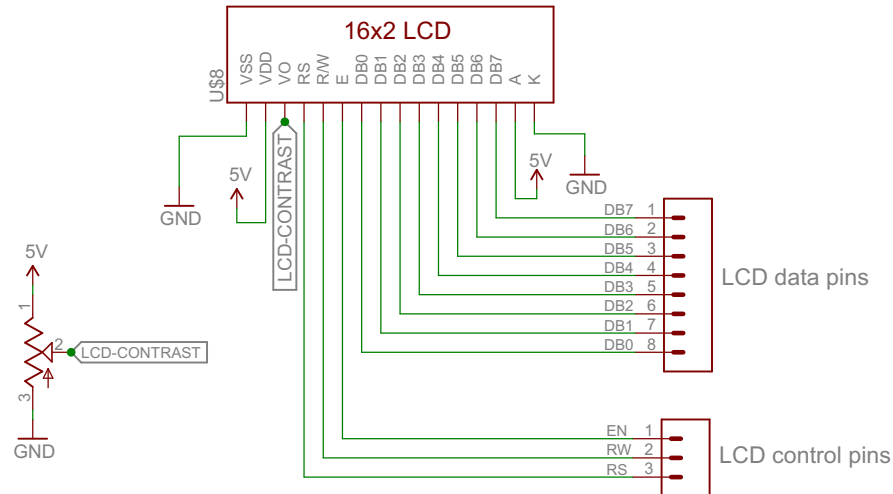
Design by:
 SILICON TECHNO LABS

REV:
 V2.0

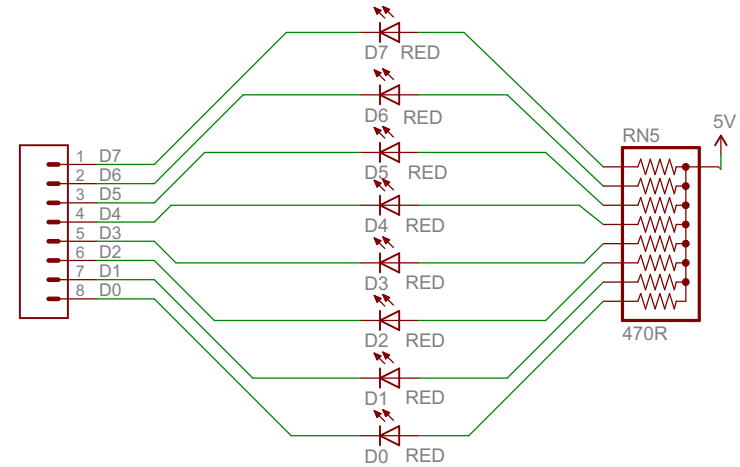
Date: 15/07/2016 11:32:06

Sheet: 1/2

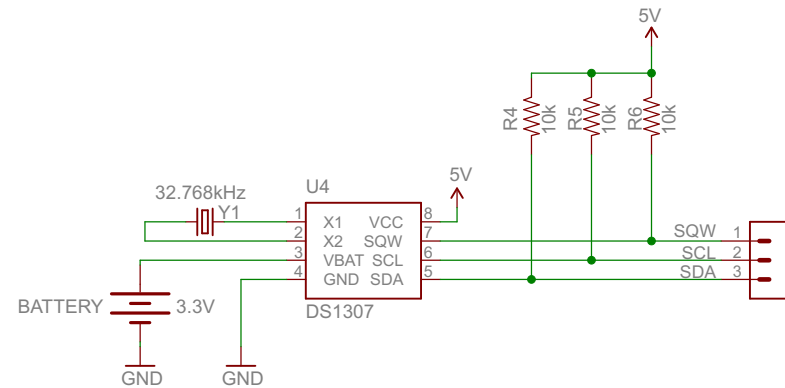
16x2 LCD



8 LED for checking port status



DS1307 RTC



TITLE: 8051 Quick starter board

Design by:
SILICON TECHNOLABS

REV:
V2.0

Date: 15/07/2016 11:32:06

Sheet: 2/2