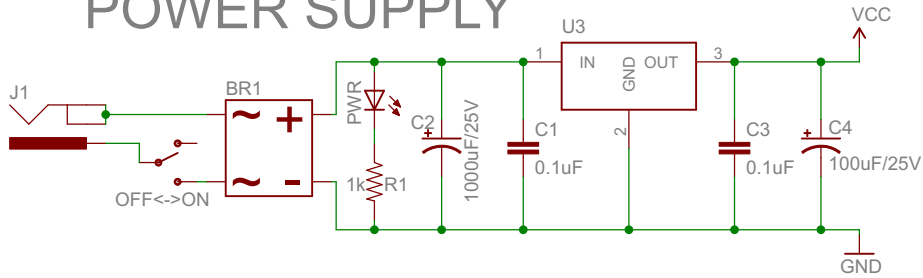
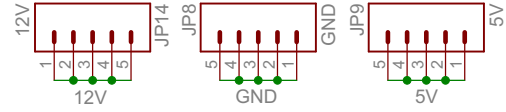


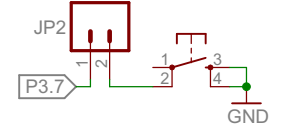
POWER SUPPLY



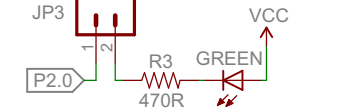
POWER BUS



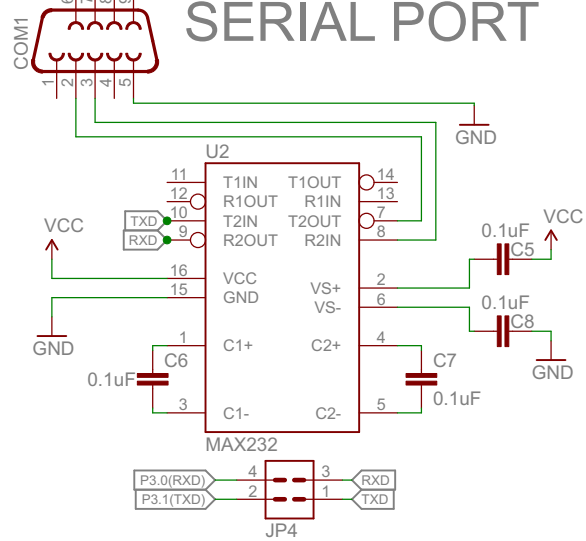
User Switch



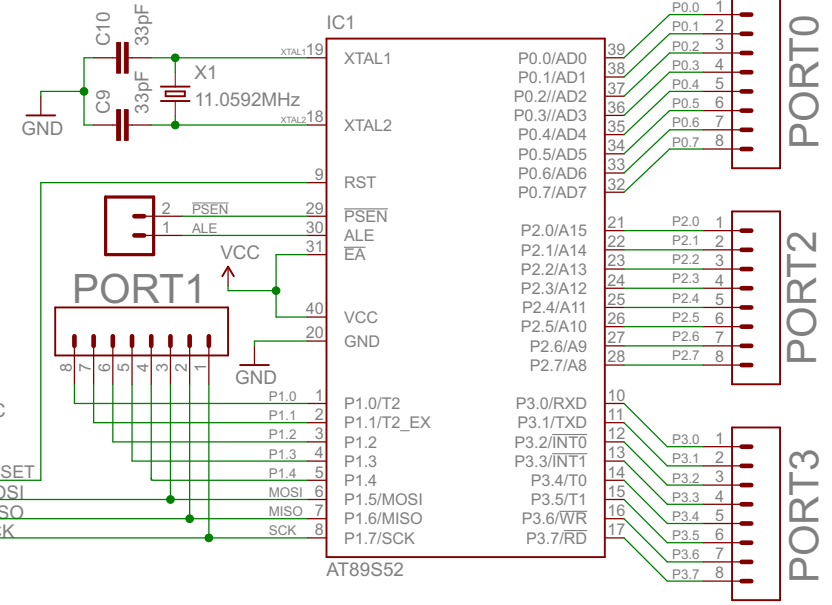
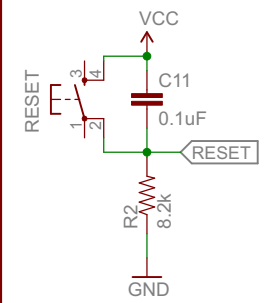
User LED



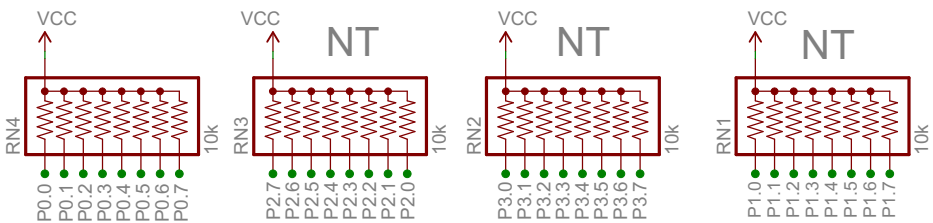
SERIAL PORT



Reset Circuit



PULLUP RESISTOR



NT - Not in hardware

TITLE: 8051 Development Board

Design by:
SILICON TECHNOLABS

REV:
STL010V2.2

Date: 08/03/2016 18:48:22

Sheet: 1/1